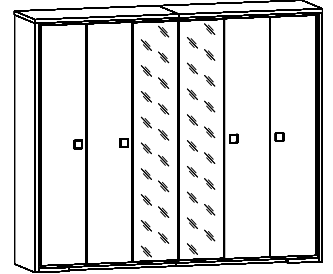
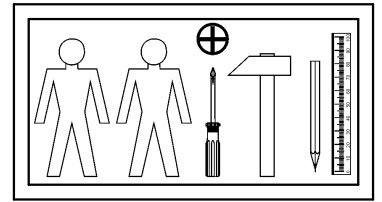
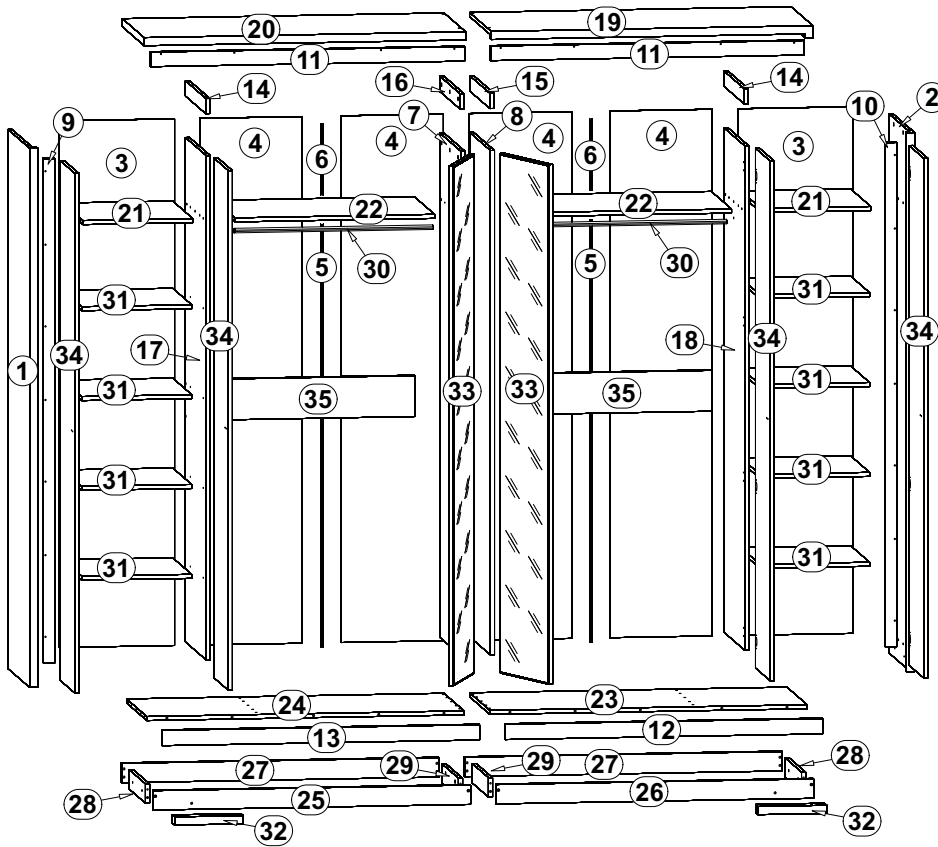


НИКОЛЬ / НИКОЛЬ

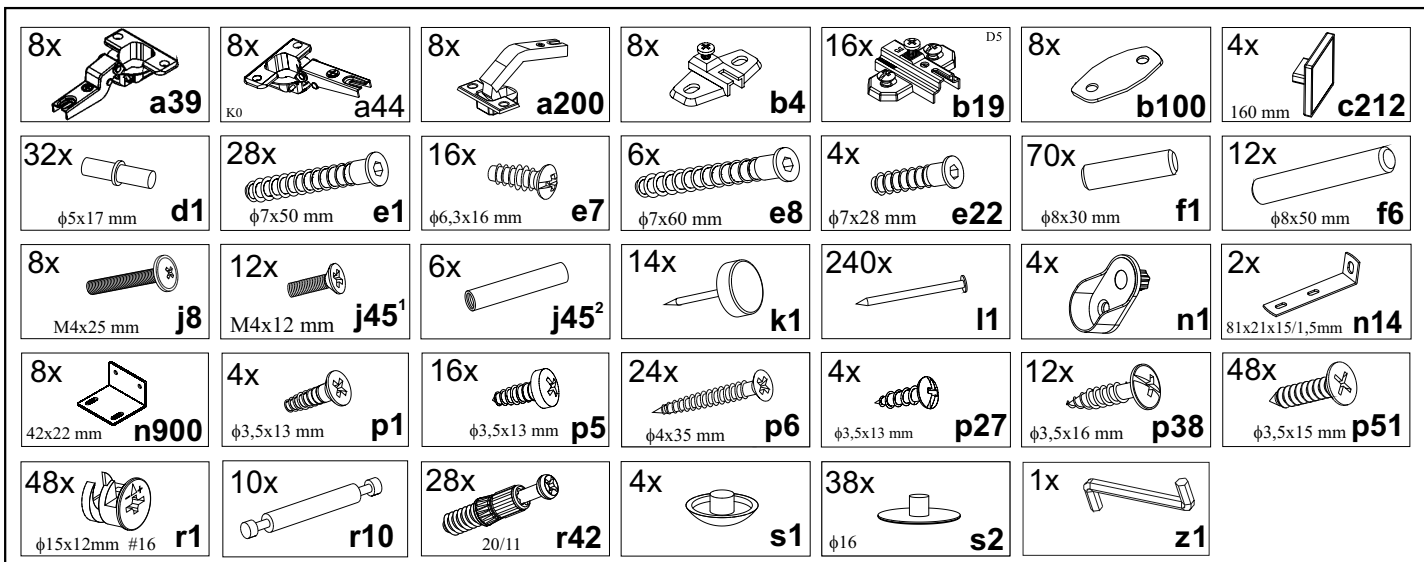
Шафа / Шкаф 6d



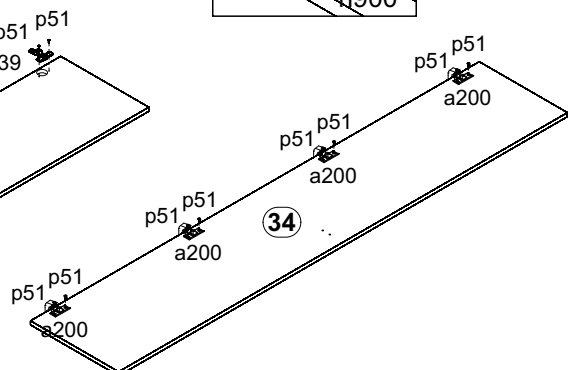
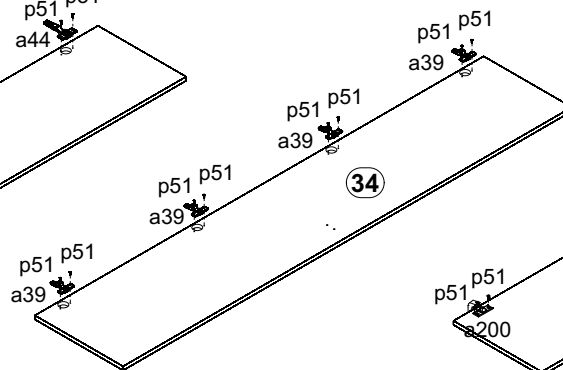
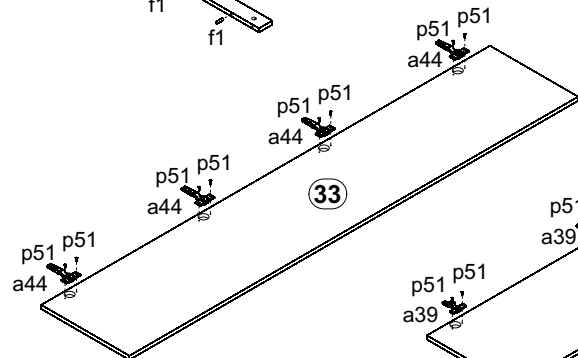
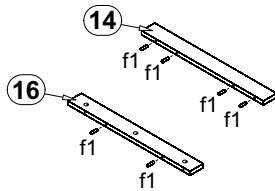
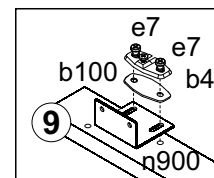
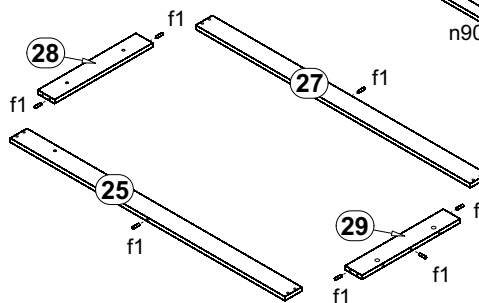
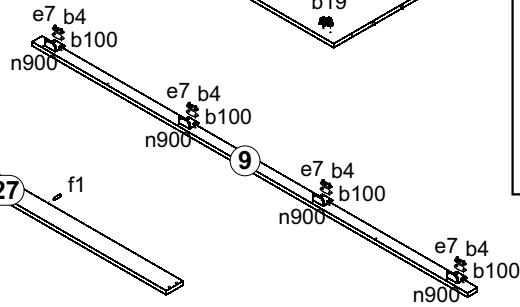
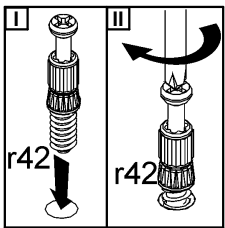
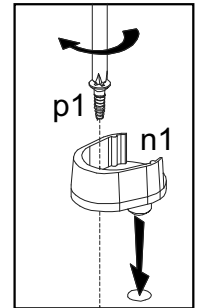
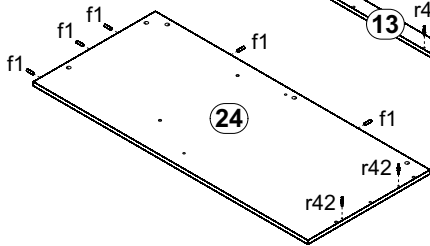
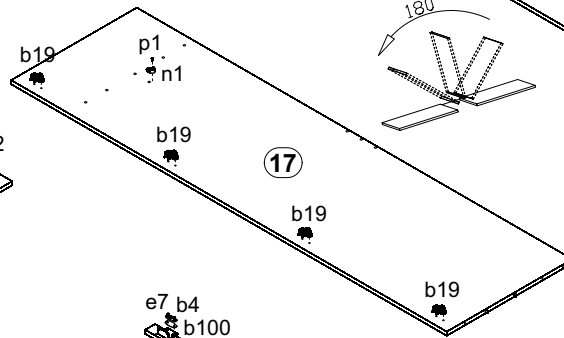
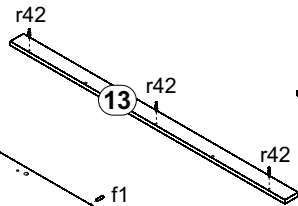
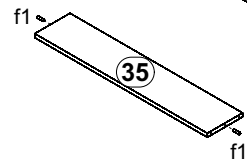
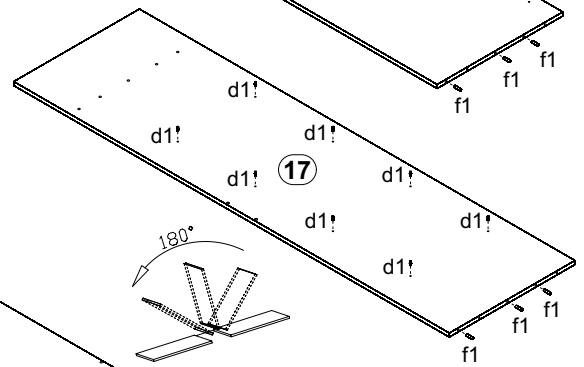
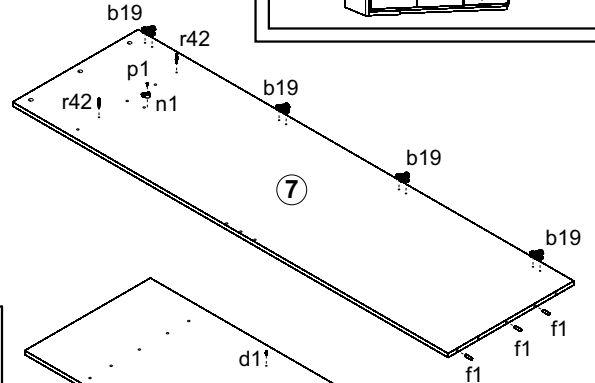
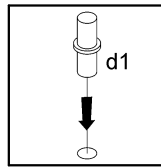
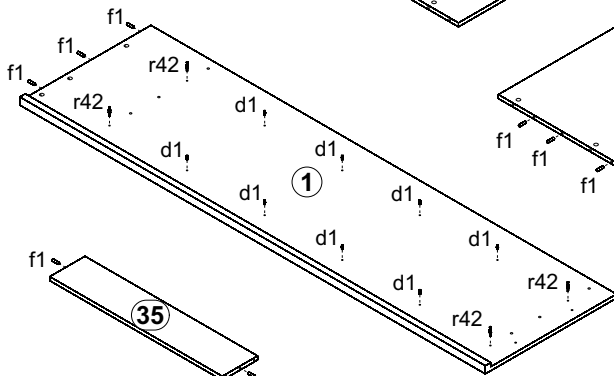
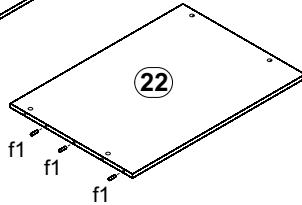
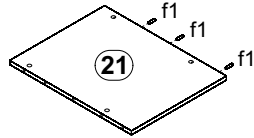
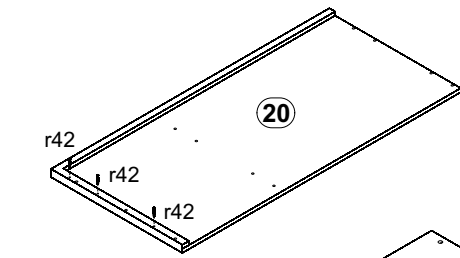
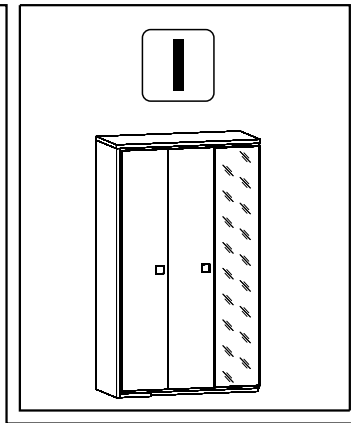
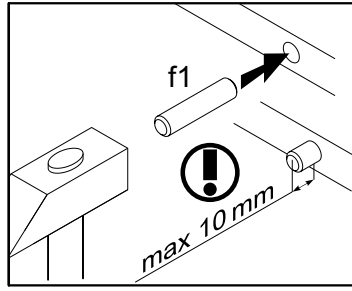
A	B	C	D
1	NK1-153	2112	595 1/8
2	NK1-158	2112	595 1/8
3	NK1-926	2063	452 1/8
4	NK1-927	2063	402 1/8
5	LH-1711	1711	14 1/8
6	LH-307	307	14 1/8
7	NK1-156	1976	570 2/8
8	NK1-155	1976	570 2/8
9	NK1-406	1975	45 2/8
10	NK1-407	1975	45 2/8
11	NK1-471	1232	57 2/8
12	NK1-470	1246	60 2/8

A	B	C	D
13	NK1-473	1246	60 2/8
14	NK1-401	60	553 2/8
15	NK1-475	60	553 2/8
16	NK1-478	60	553 2/8
17	NK1-154	1976	570 3/8
18	NK1-157	1976	570 3/8
19	NK1-218	1263	596 4/8
20	NK1-220	1263	596 4/8
21	NK1-329	431	553 4/8
22	NK1-331	783	554 4/8
23	NK1-328	1246	554 5/8
24	NK1-332	1246	554 5/8

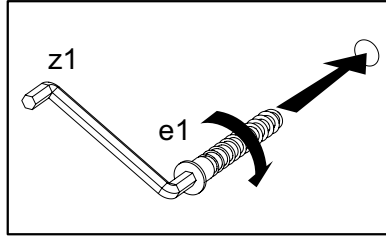
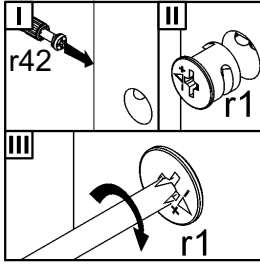
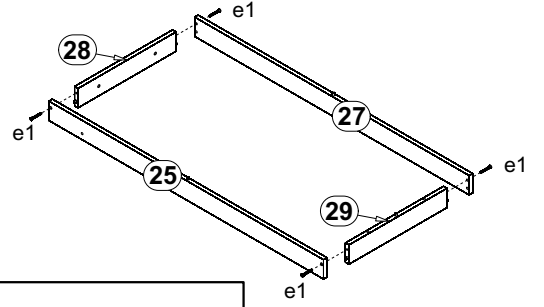
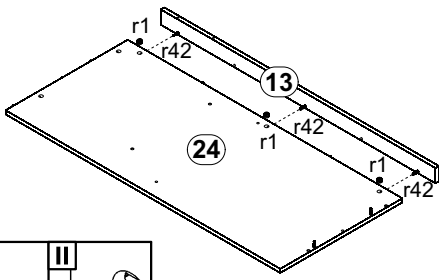
A	B	C	D
25	NK1-472	1246	76 5/8
26	NK1-469	1246	76 5/8
27	NK1-468	1246	76 5/8
28	NK1-484	445	76 5/8
29	NK1-477	445	76 5/8
30	DR-778	778	5/8
31	NK1-330	431	520 6/8
32	NK1-501	270	65 6/8
33	NK1-032	2036	400 7/8
34	NK1-031	2036	400 8/8
35	NK1-485	783	160 2/8



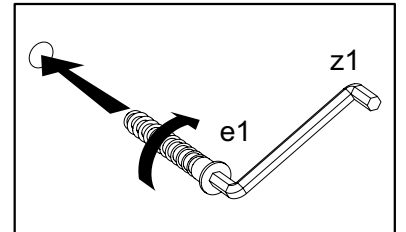
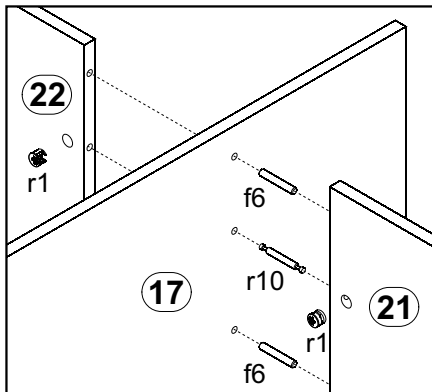
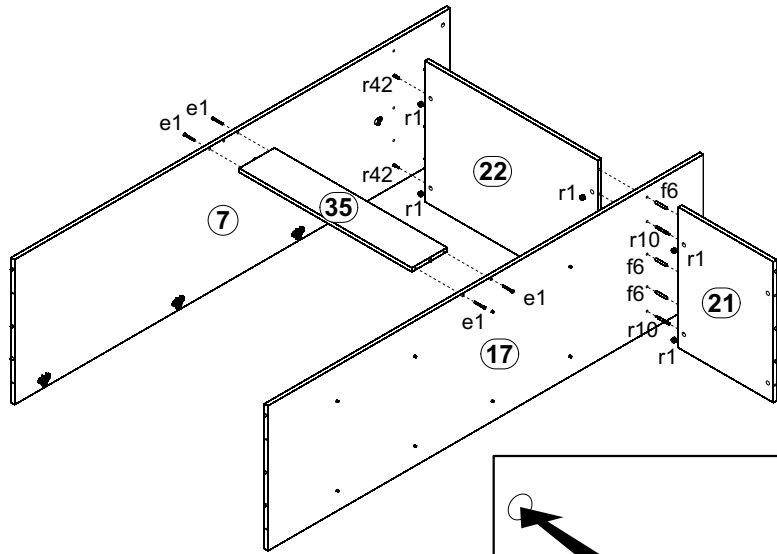
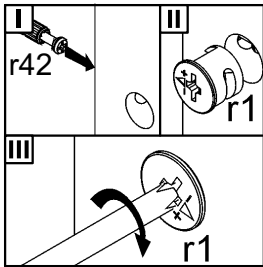
1 



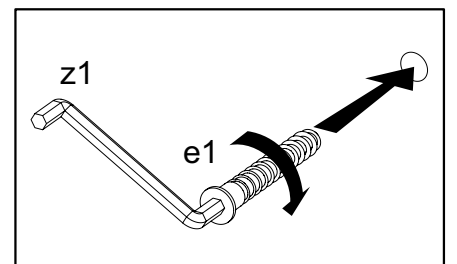
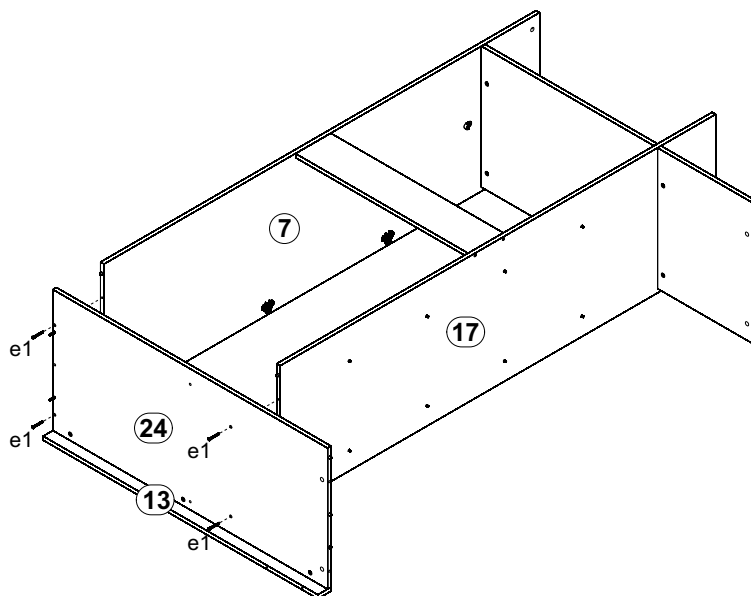
2



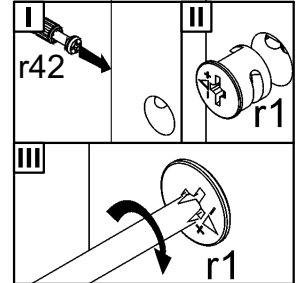
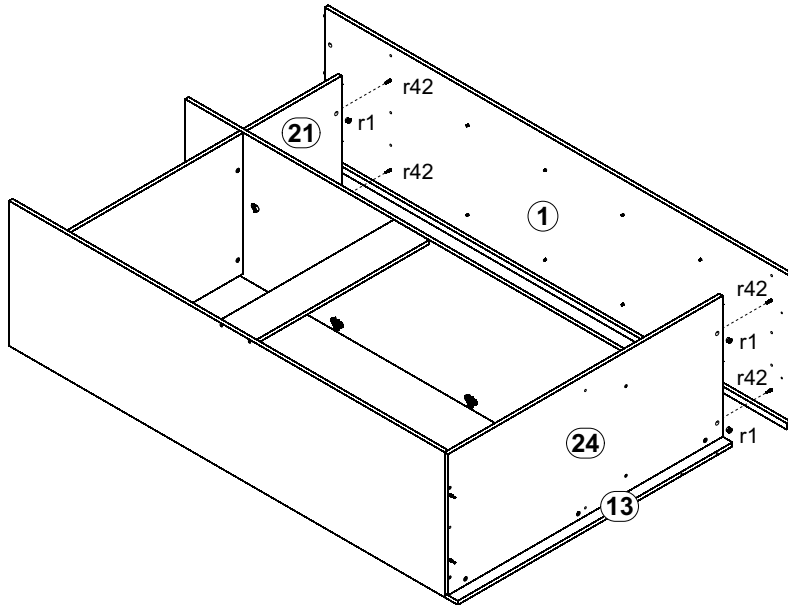
3



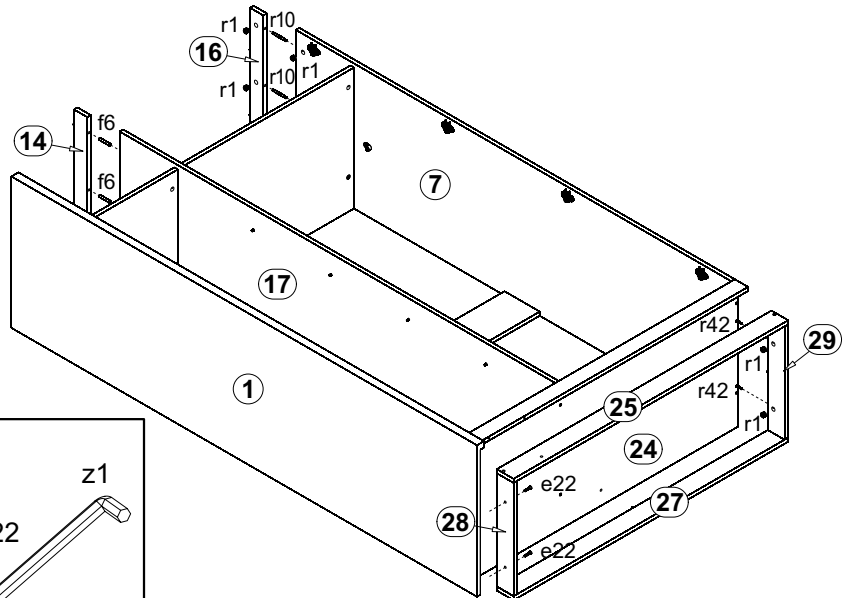
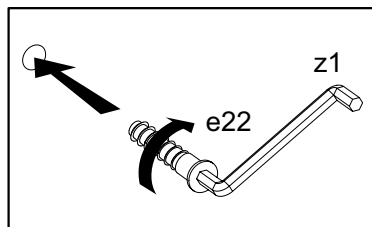
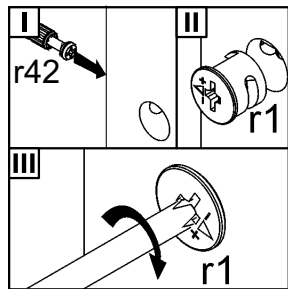
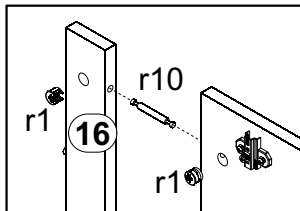
4



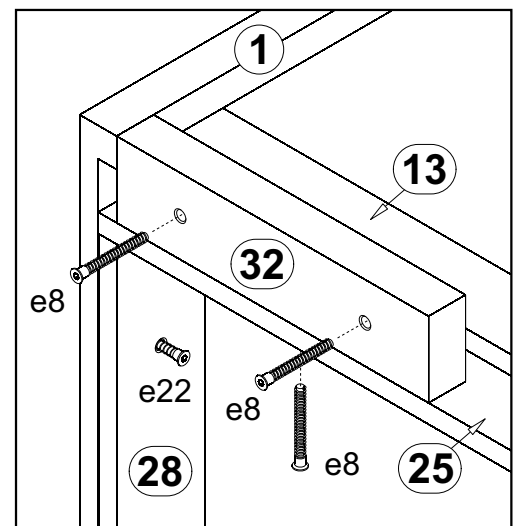
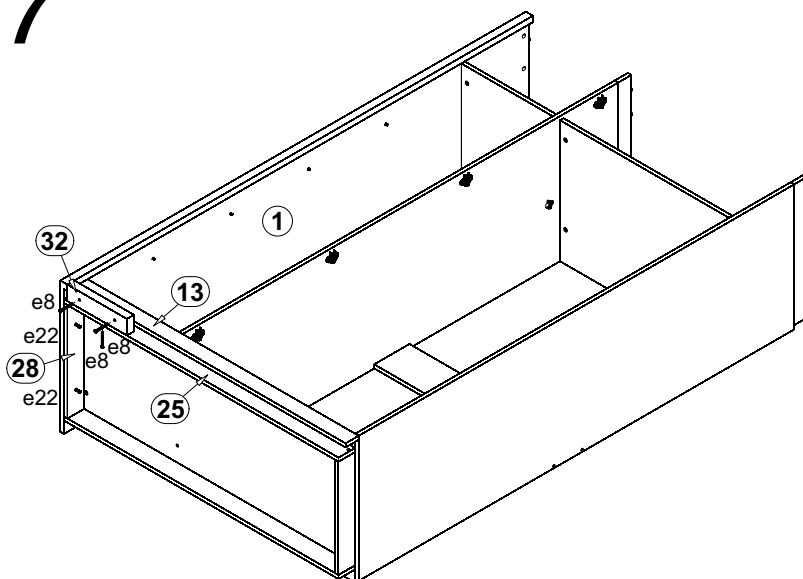
5



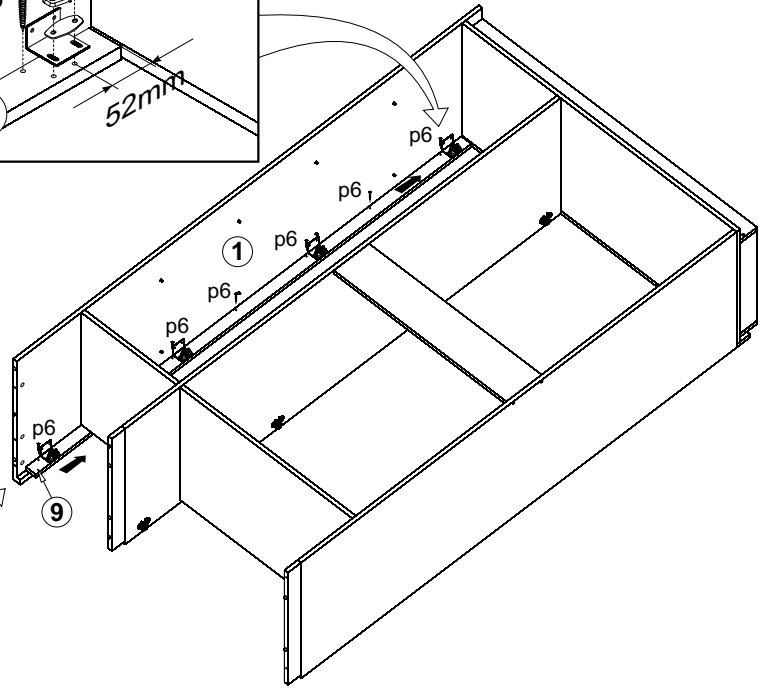
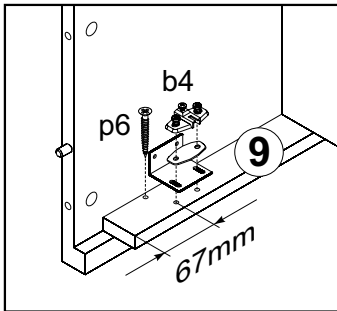
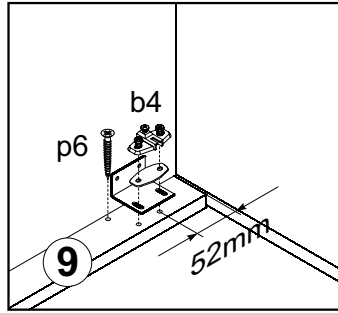
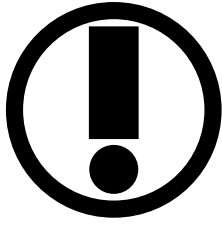
6



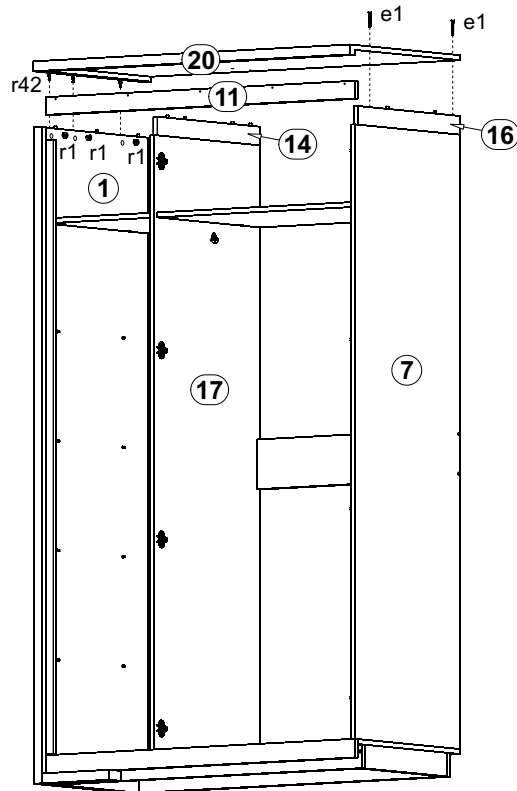
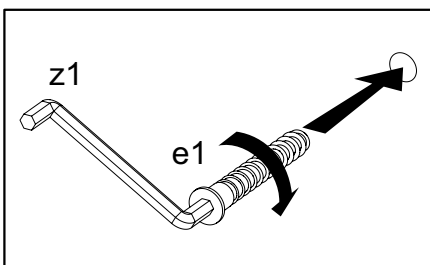
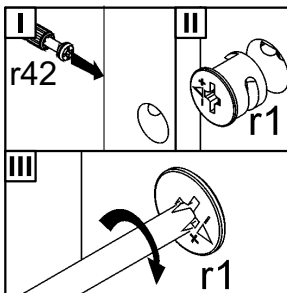
7



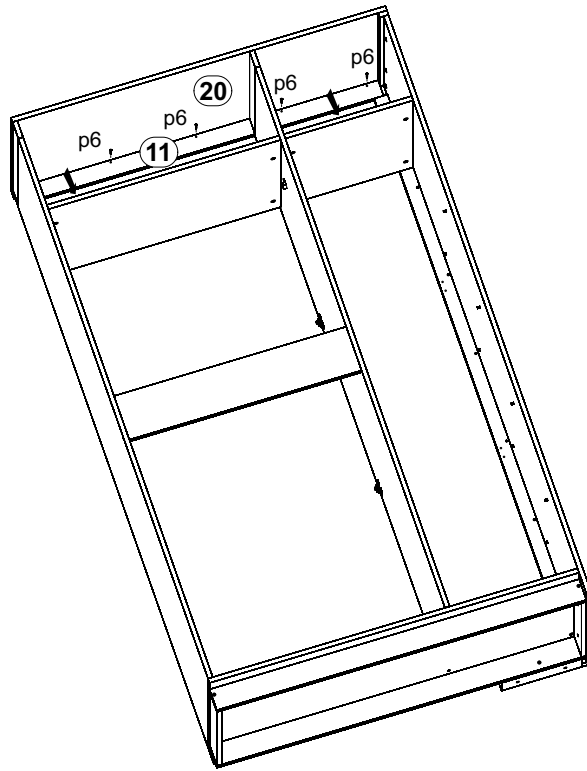
8



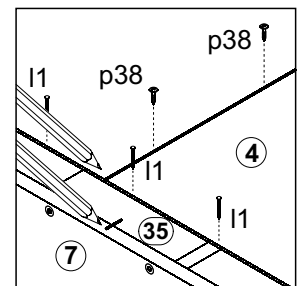
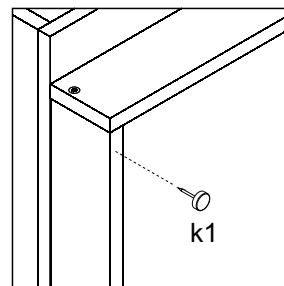
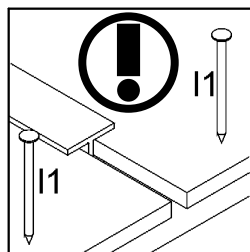
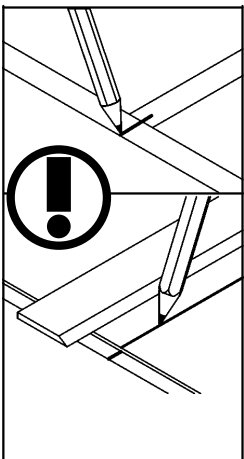
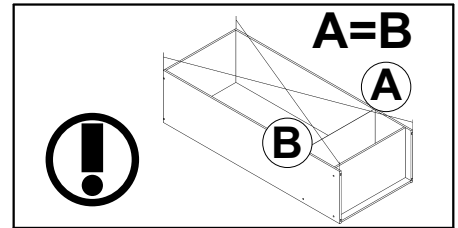
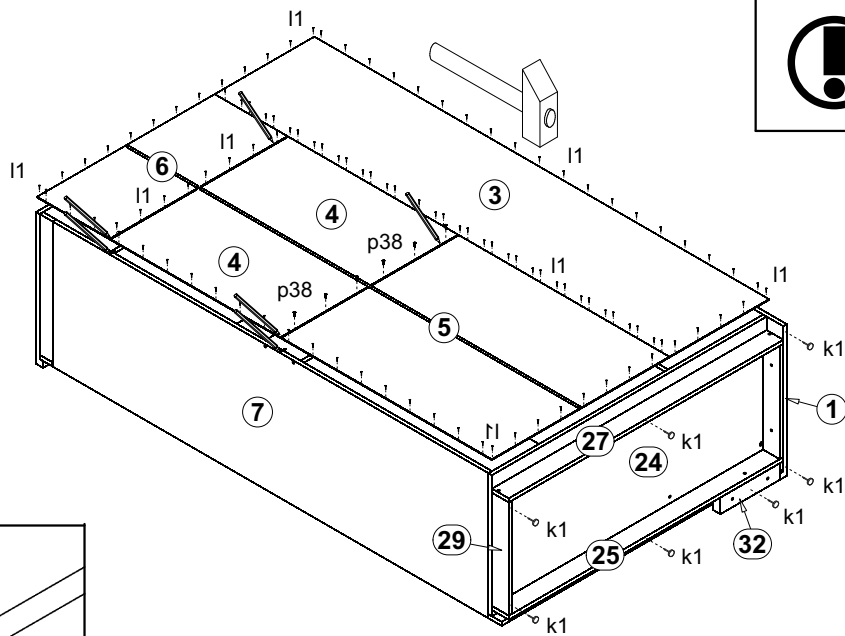
9



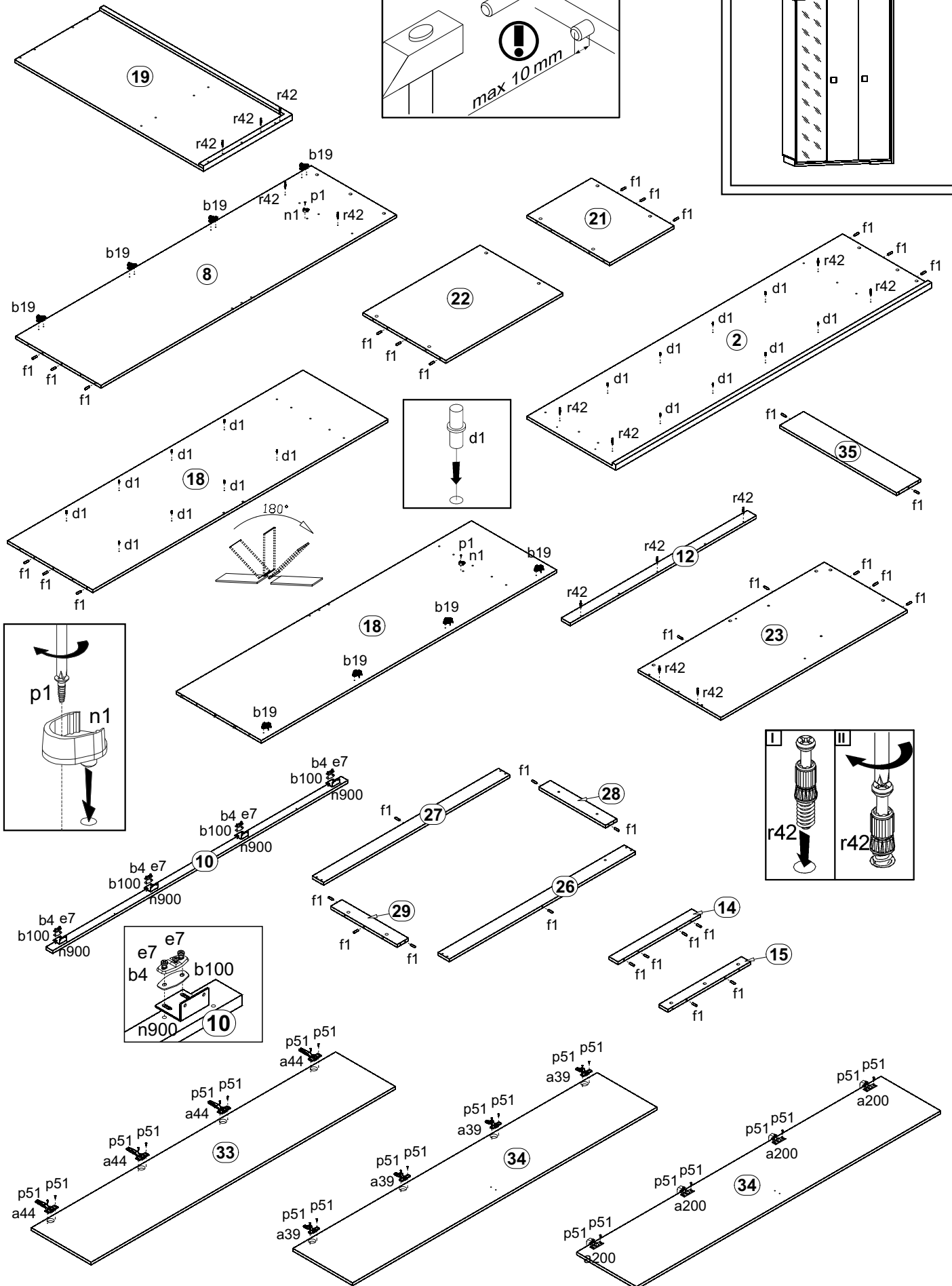
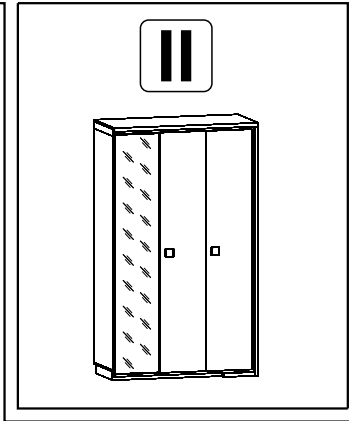
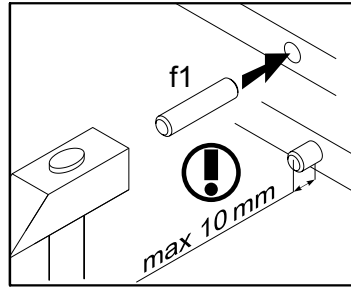
10



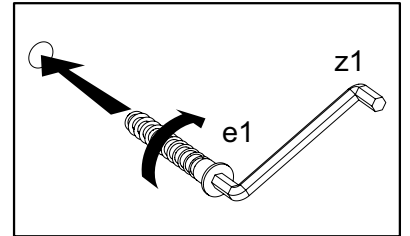
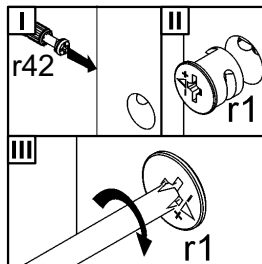
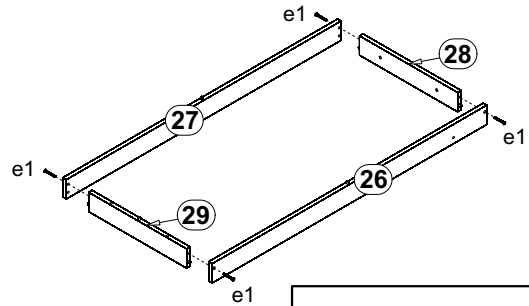
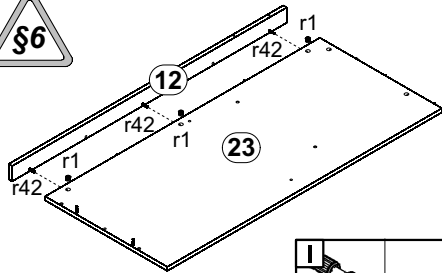
11



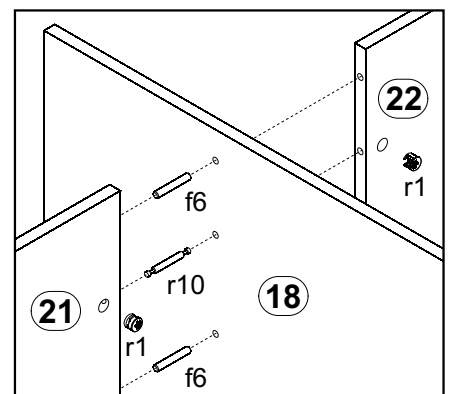
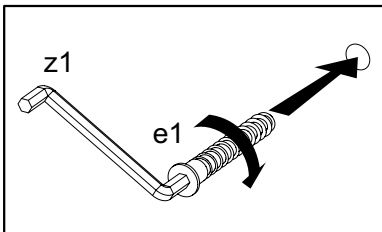
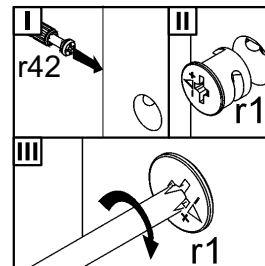
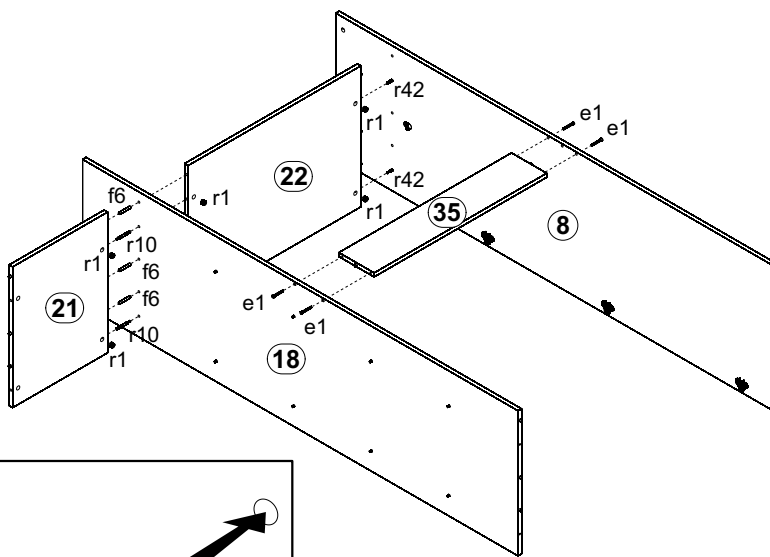
12



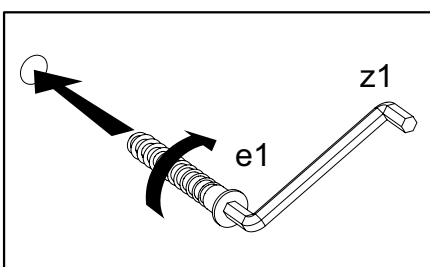
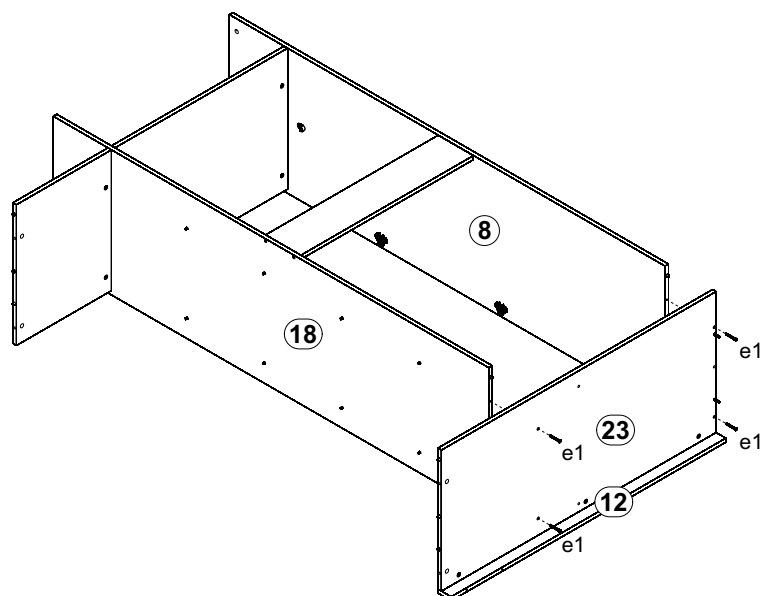
13



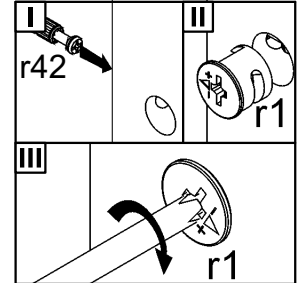
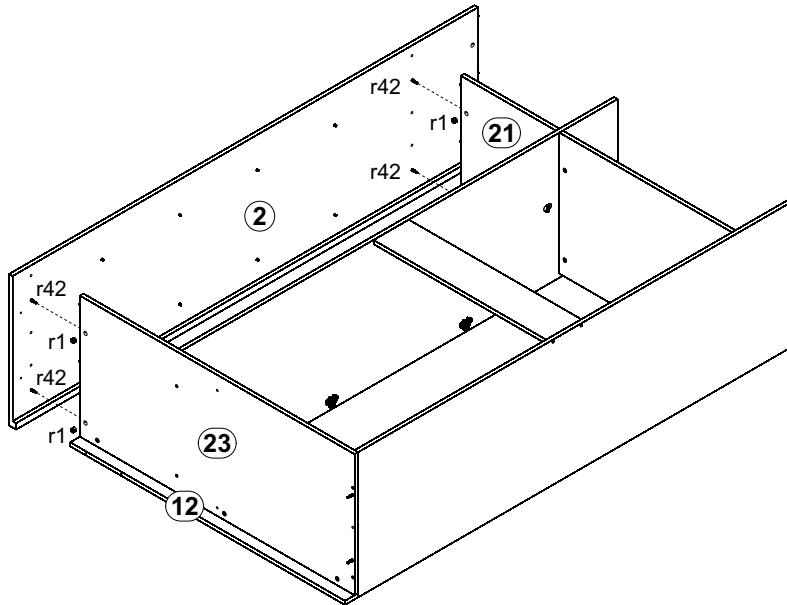
14



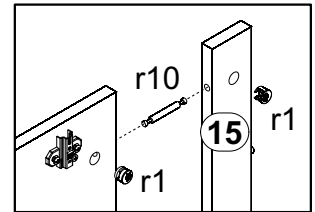
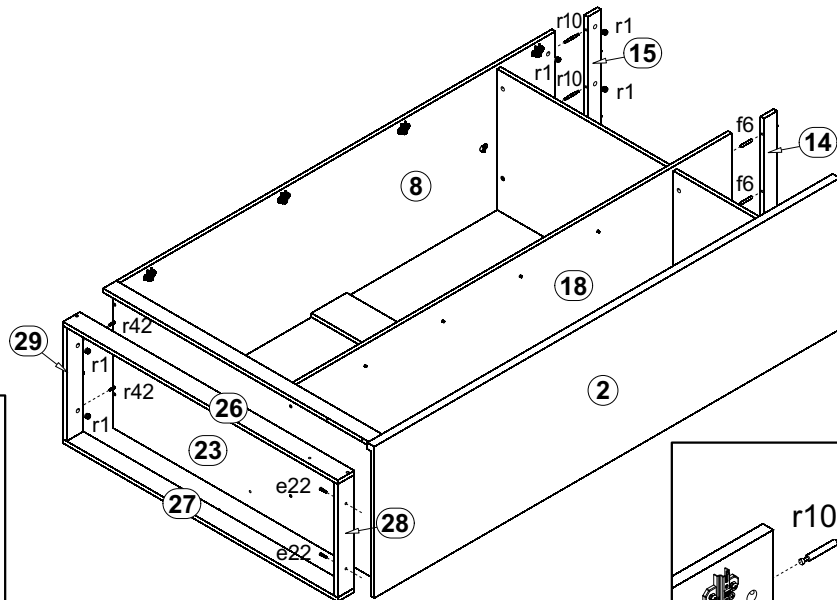
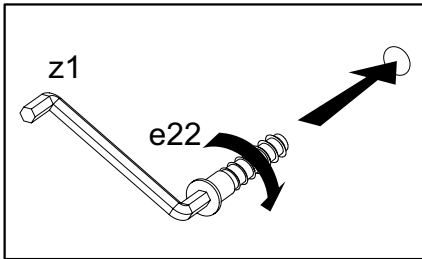
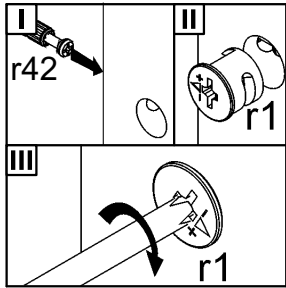
15



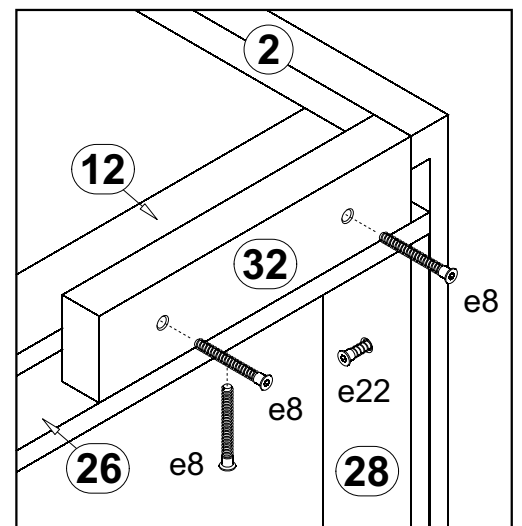
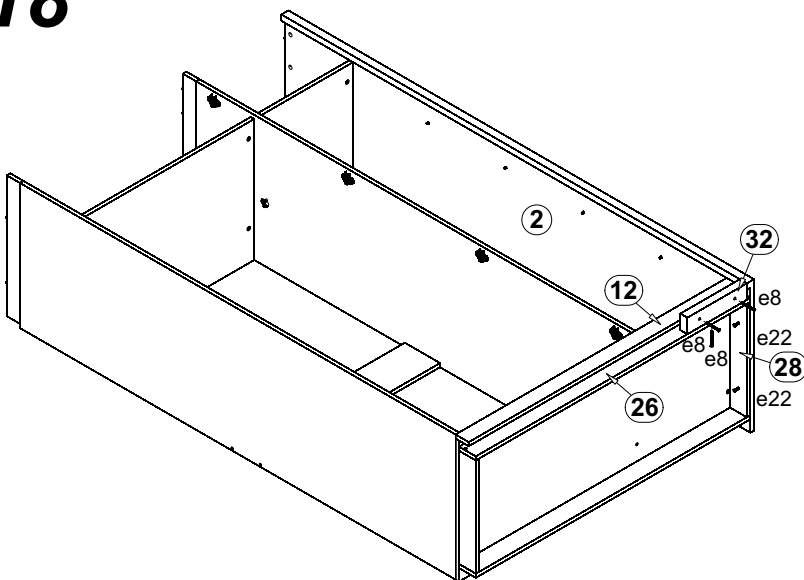
16



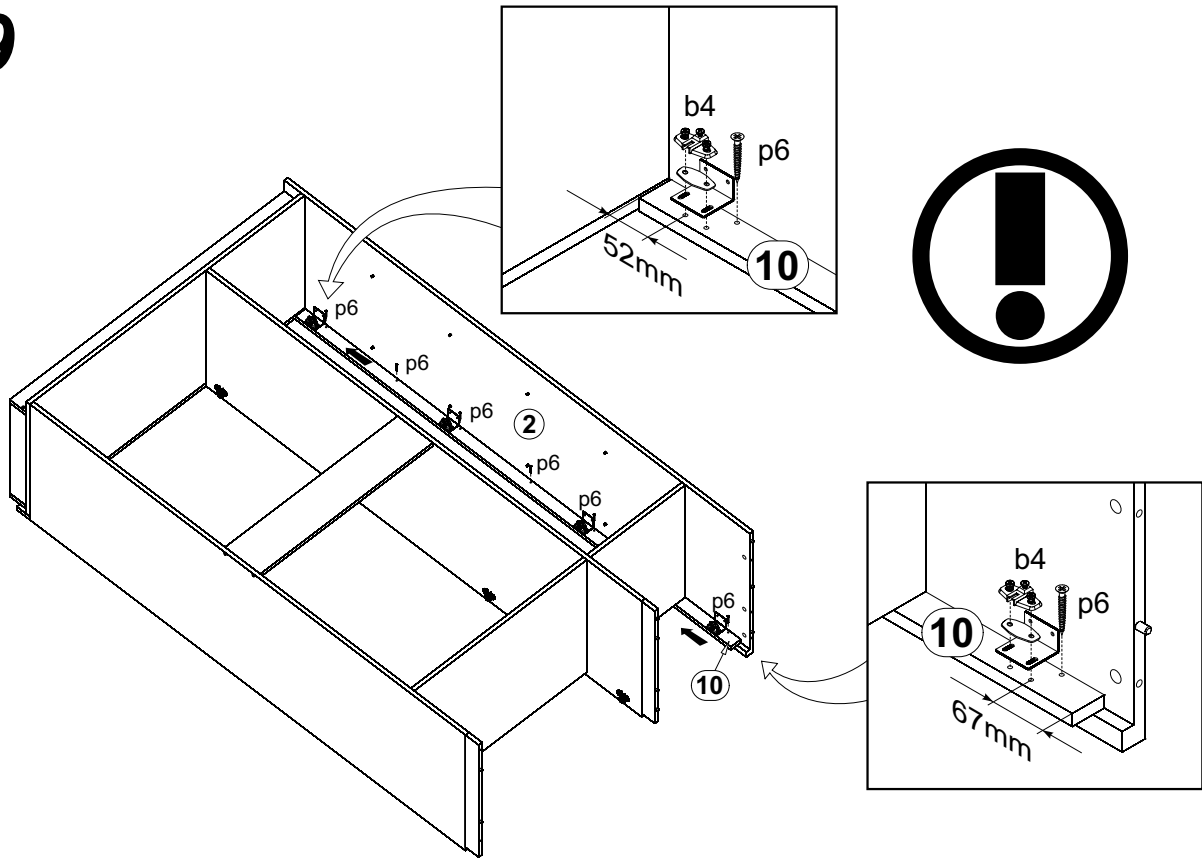
17



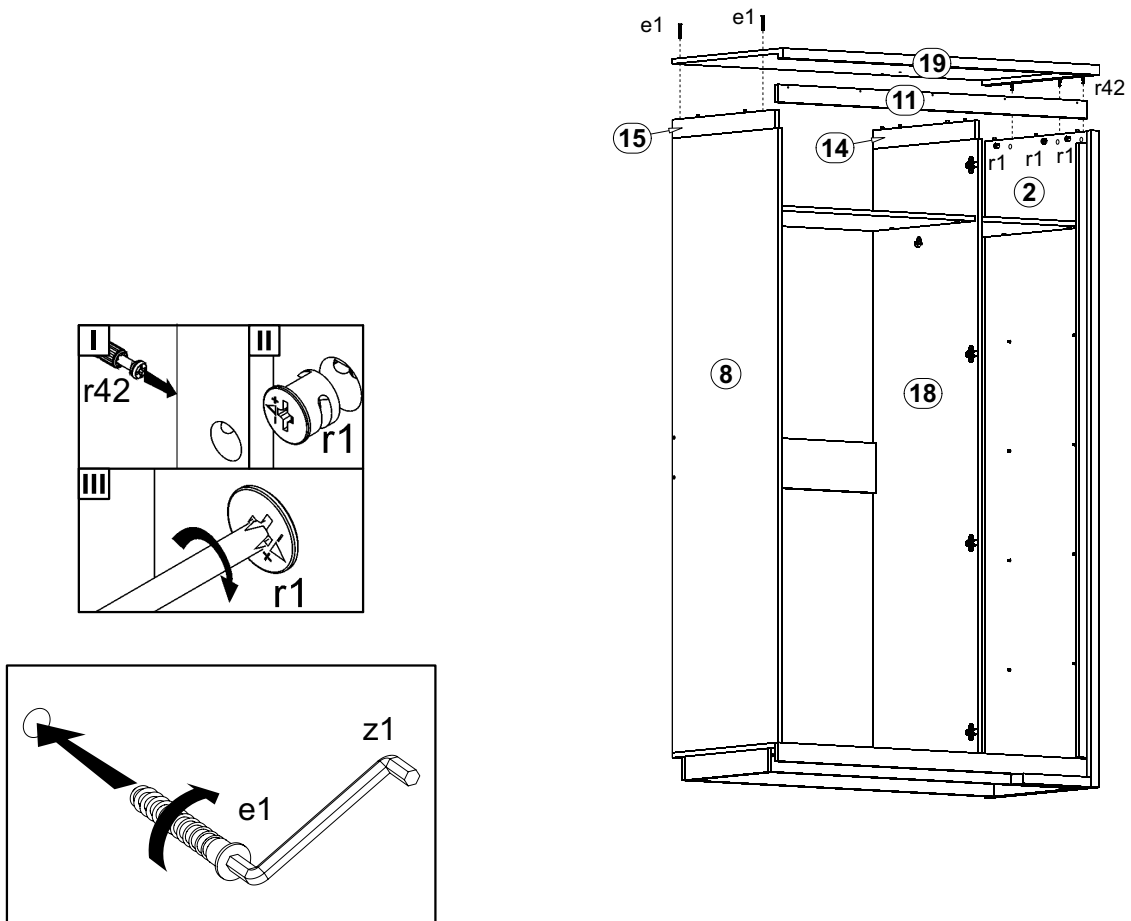
18



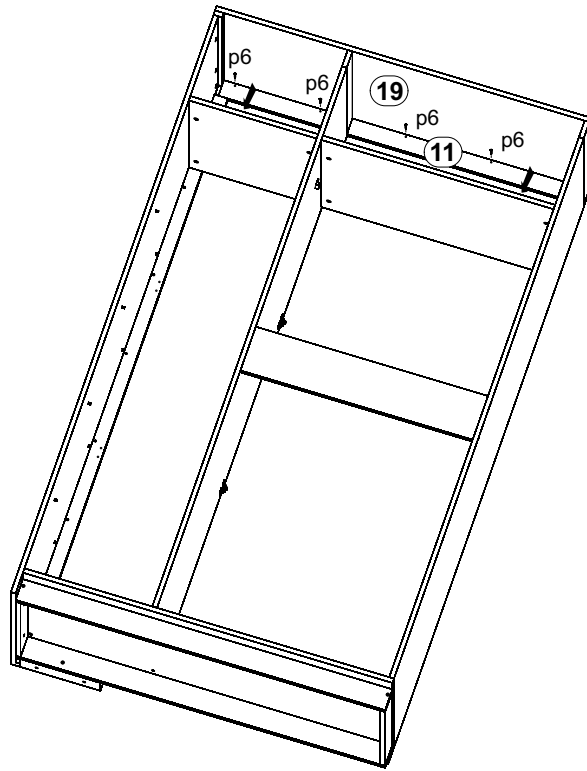
19



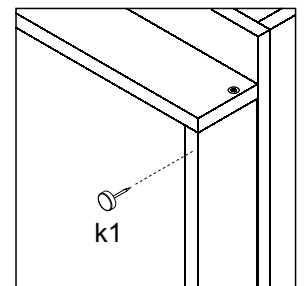
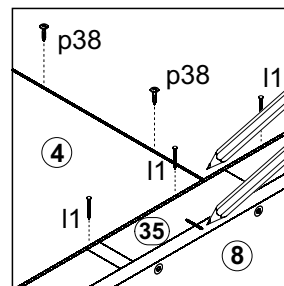
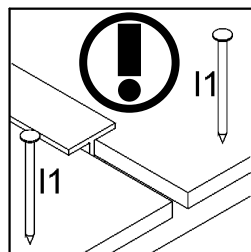
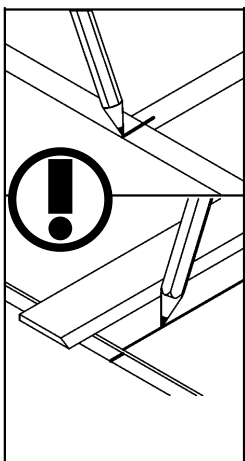
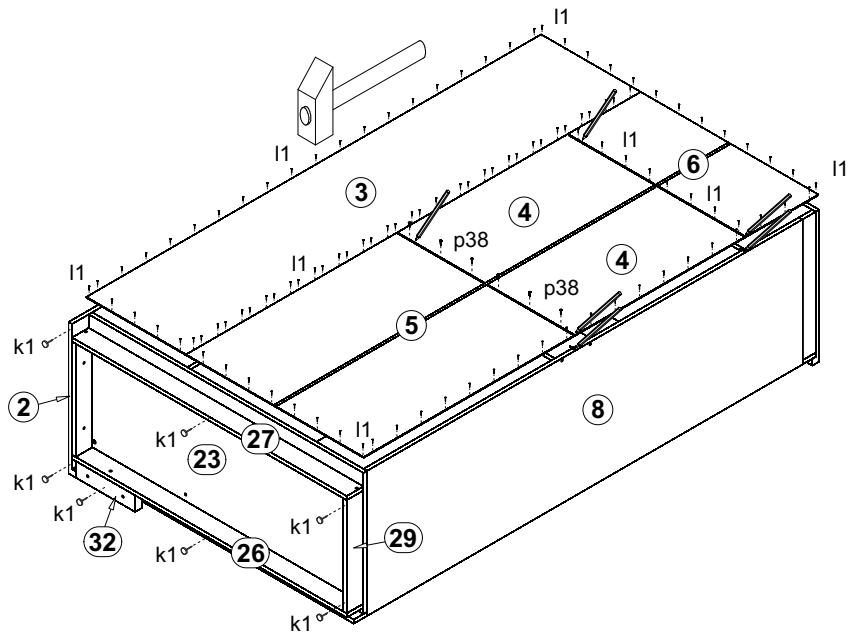
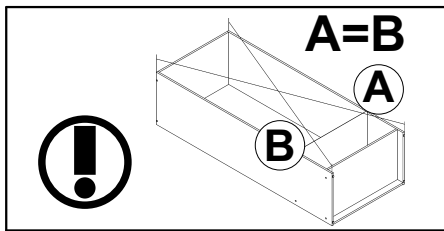
20



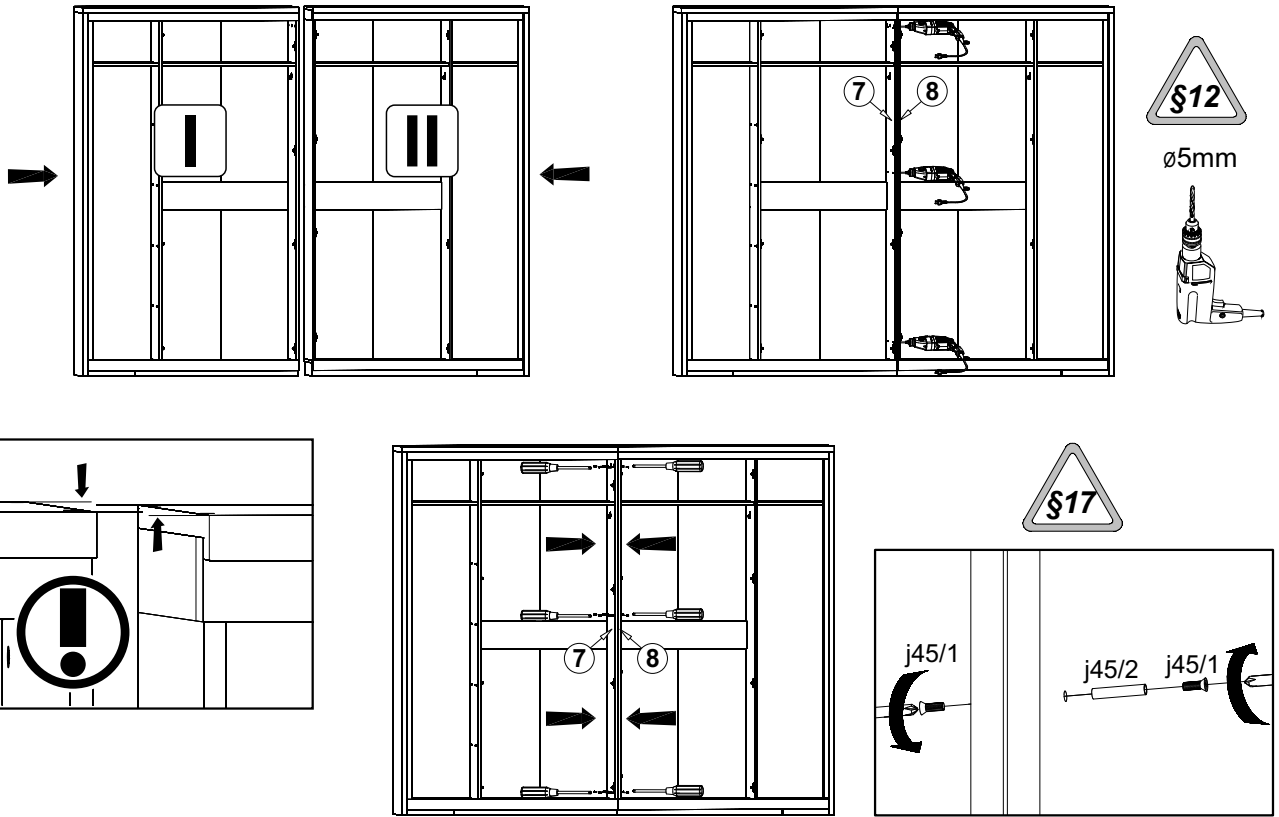
21



22



23



24

